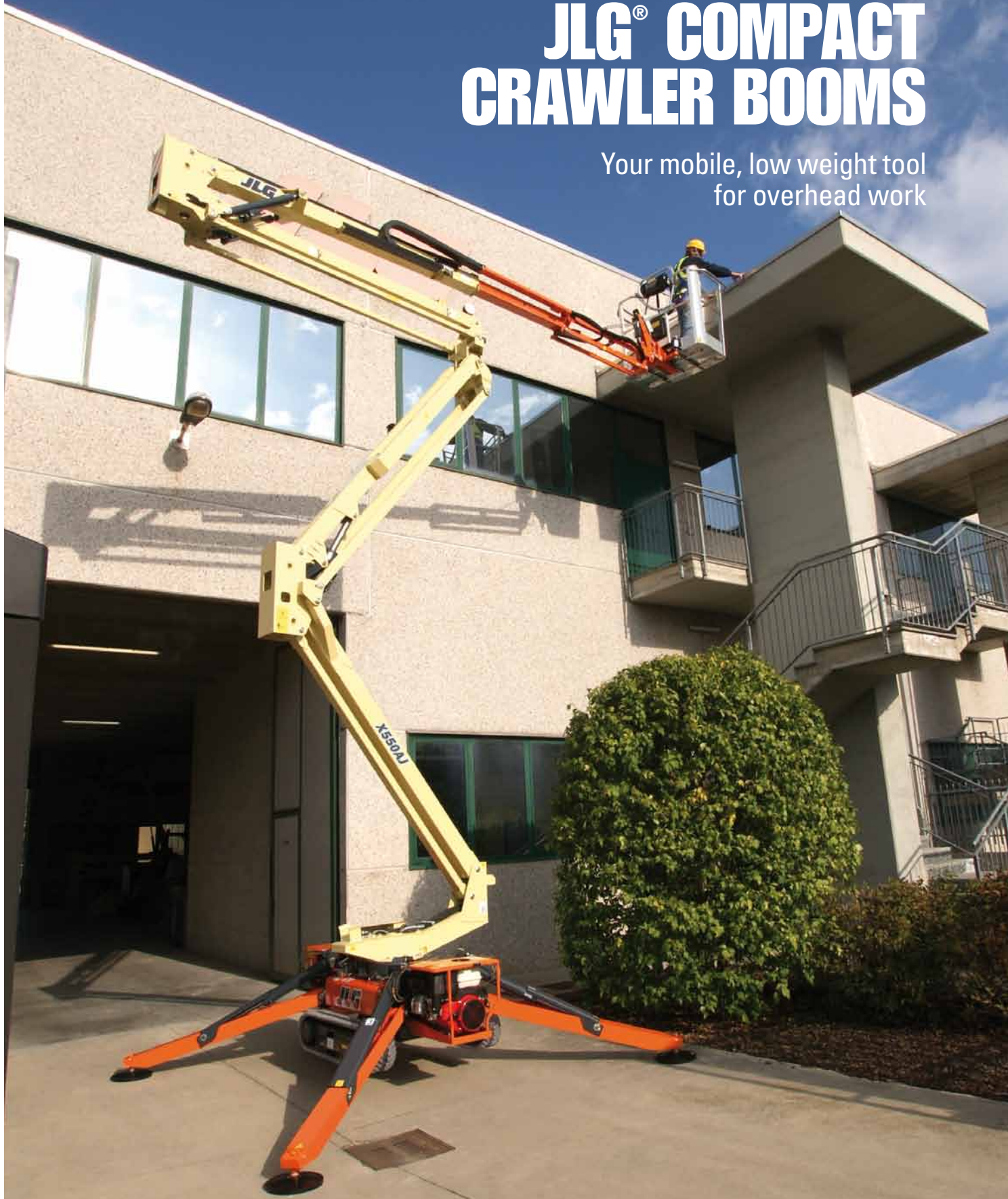


JLG® COMPACT CRAWLER BOOMS

Your mobile, low weight tool
for overhead work



JLG®

REACH WHAT OTHERS CAN'T WITH JLG® COMPACT CRAWLER BOOMS.

Three models available with working heights ranging from 45 ft (14 m) to 76 ft (23 m).

- **Ease of transport:** Fits on a trailer or tilt-back truck (low weight, good gradeability, compact).
- **Enhanced maneuverability and accessibility:** Go-more-places with low GVW, rubber tracks, remote drive, adjustable track widths for increased stability during transport, compact dimensions, hydraulic jib, rotation of platform* and zero-turn radius with counter rotation.
- **Operator convenience:** One-touch outrigger leveling, interactive display in platform, operator-friendly controls.
- **Environmentally friendly:** Dual power onboard—gas, diesel or electric engine, accompanied by electric AC motor are standard to reduce noise and emissions in public spaces. Lightweight machine can set up on sensitive flooring and landscaping.
- **One-stop shopping:** Parts, Service and Warranty are all available through JLG Ground Support—877-JLG-LIFT or www.jlg.com/service

*Not available on X390AJ.

Photographs depicted in this publication are for illustration purposes only. Any products, decals, or other details depicted are subject to change or modification at the manufacturer's discretion.



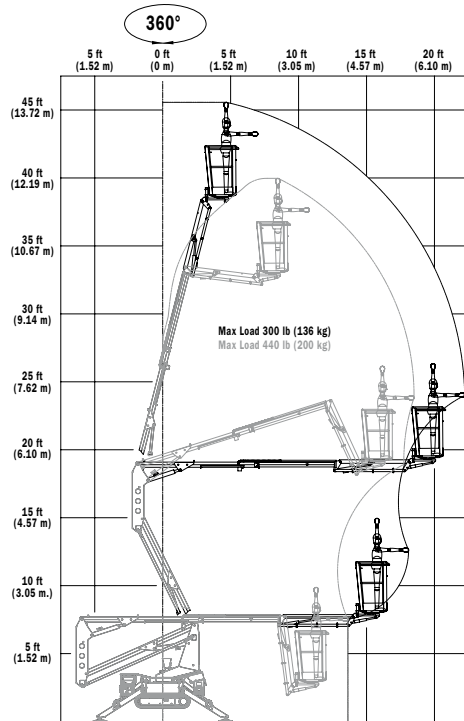
TECHNICAL SPECIFICATIONS

	X390AJ	X550AJ	X700AJ
Performance			
Platform Height	39' 2" (11.9 m)	55' (16.76 m)	69' 7" (21.20 m)
Horizontal Outreach	22' (6.70 m)	21' (6.40 m)	37' (11.27 m)
Swing	360° Non-continuous	360° Non-continuous	360° Non-continuous
Max. Platform Capacity	440 lb (200 kg)	440 lb (200 kg)	440 lb (200 kg)
Platform Rotation	N/A	124° (+/-62°)	124° (+/-62°)
Jib (Range of Articulation)	88° (-2/-90)	82.7° (0/-82.7)	85° (-1/-86)
Platform Size	57" x 31" (1.45 x 0.77 m)	58" x 31" (1.48 x 0.77 m)	58" x 31" (1.48 x 0.77 m)
Overall Width	31" (0.77 m)	31" (0.77 m)	39" (0.99 m)
Stowed Height	6' 10" (2.07 m)	6' 6" (1.98 m)	6' 6" (1.98 m)
Outrigger Footprint	9' 7" x 9' 5" (2.9 m x 2.8 m)	9' 6" x 9' 5" (2.8 m x 2.8 m)	13' 1" x 13' 1" (3.9 m x 3.9 m)
Stowed Length	13' (3.98 m)	14' 8" (4.47 m)	19' 8" (6.00 m)
Track Length	4' 1" (1.24 m)	4' 1" (1.24 m)	5' 9" (1.77 m)
Weight*	3,682 lb (1,670 kg)	4,630 lb (2,098 kg)	6,592 lb (2,990 kg)
Ground Bearing Pressure	27 psi (1.9 kg/cm ²)	27 psi (1.9 kg/cm ²)	42 psi (3.0 kg/cm ²)
Drive Speed	.87 mph (1.4 km/h)	.80 mph (1.3 km/h)	.80 mph (1.3 km/h)
Gradeability	33%	38%	40%
Slope Tolerance	10°	11°	14°
Gasoline Engine	Honda GX270 9 hp (6.7 kW) or Honda iGX390 13 hp (9.7 kW)	Honda iGX440 15 hp (11.1 kW)	Honda iGX440 15 hp (11.1 kW)
Diesel Engine	Hatz 1B30 7 hp (5.22 kW)	Hatz 1B40 10 hp (7.46 kW)	Perkins 402.05 14 hp (10.44 kW)
Electric Engine	90Ah 48V Lithium-Ion	90Ah 48V Lithium-Ion	90Ah 70V Lithium-Ion
Fuel Tank Capacity (Gasoline)	1.4 gal. (5.3 L)	1.5 gal. (5.9 L)	1.5 gal. (5.9 L)
Fuel Tank Capacity (Diesel)	1.3 gal. (5 L)	1.3 gal. (5 L)	3.4 gal. (13 L)
AC Motor**	120V 60 Hz (1.2 kW) 220V 60 Hz (2.2 kW)	120V 60 Hz (1.2 kW) 220V 60 Hz (2.2 kW)	120V 60 Hz (1.2 kW) 220V 60 Hz (2.2 kW)

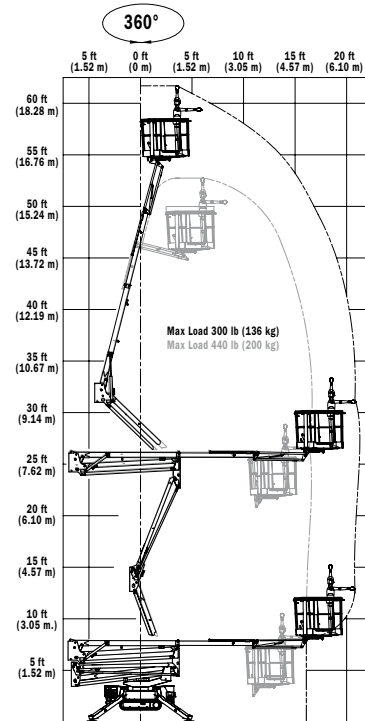
*Certain options increase weight.

**Options available.

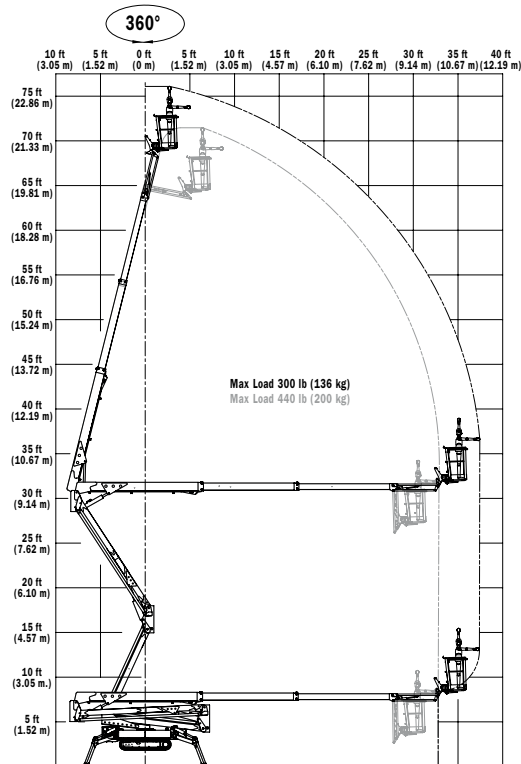
X390AJ



X550AJ



X700AJ



JLG Industries, Inc.
 1 JLG Drive
 McConnellsburg, PA 17233-9533
 Telephone 717-485-5161
 Toll-free in US 877-JLG-LIFT
 Fax 717-485-6417
www.jlg.com
 An Oshkosh Corporation Company

Form No.: CCB-Bro-0111
 Part No.: 3131582
 Printed in USA

